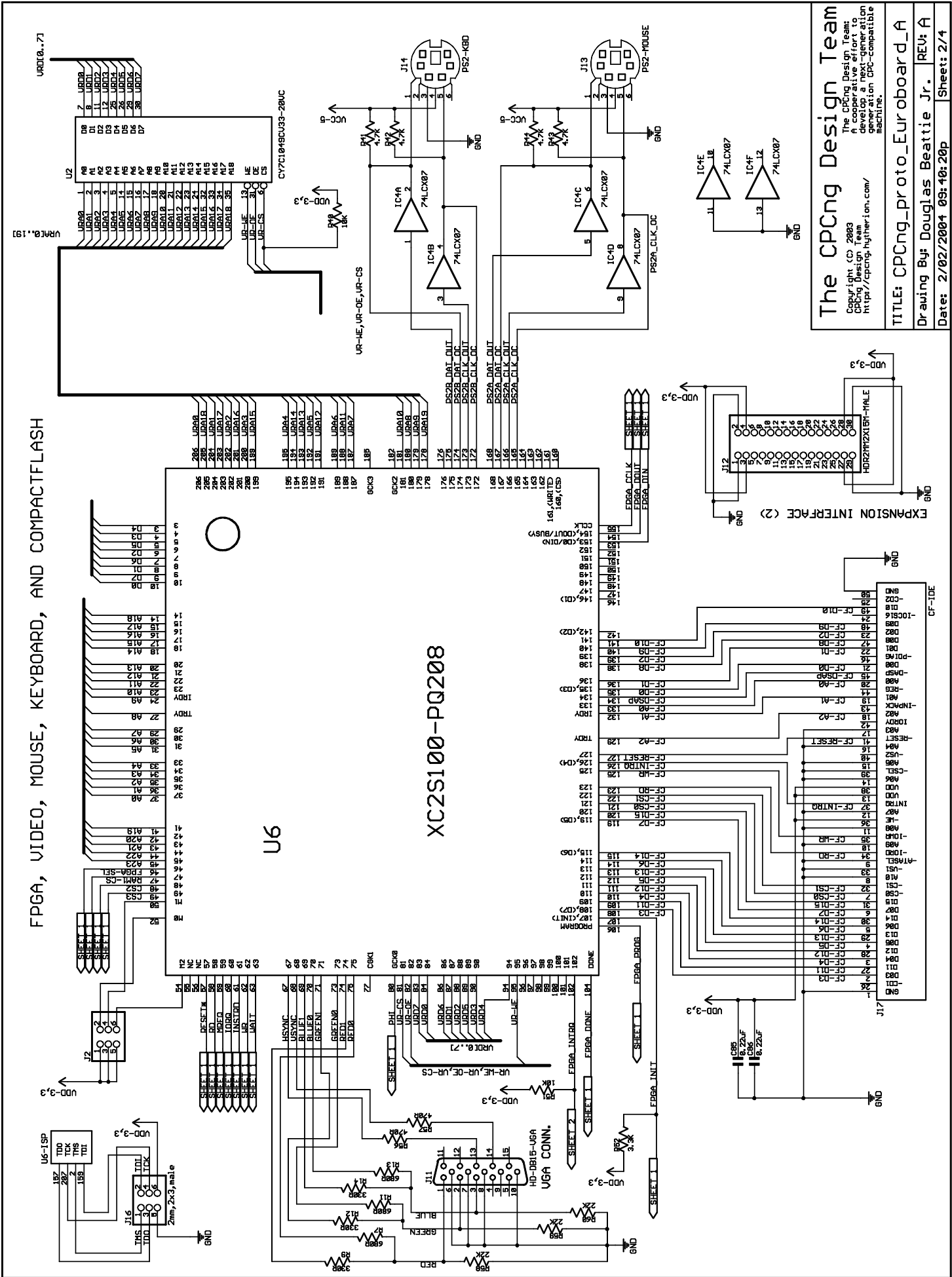


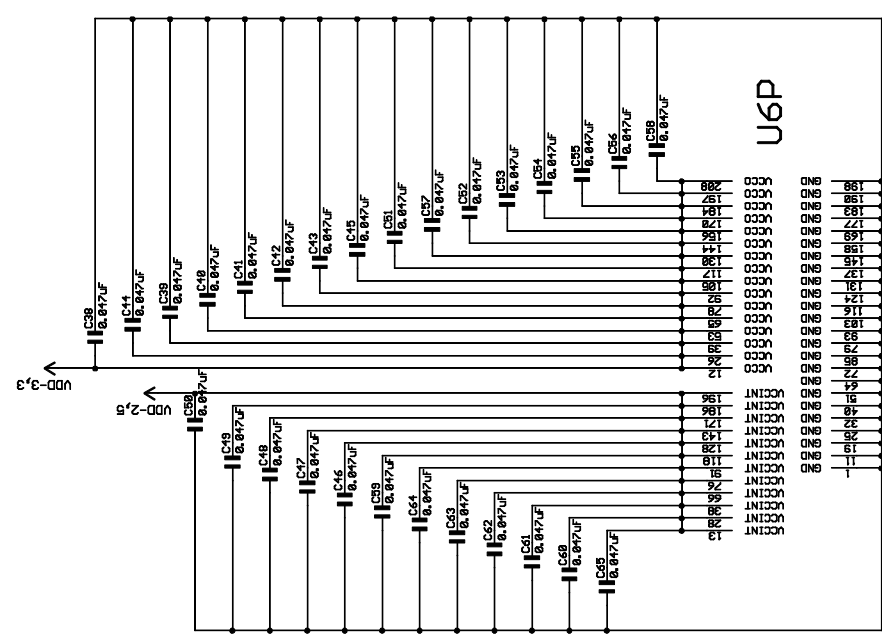
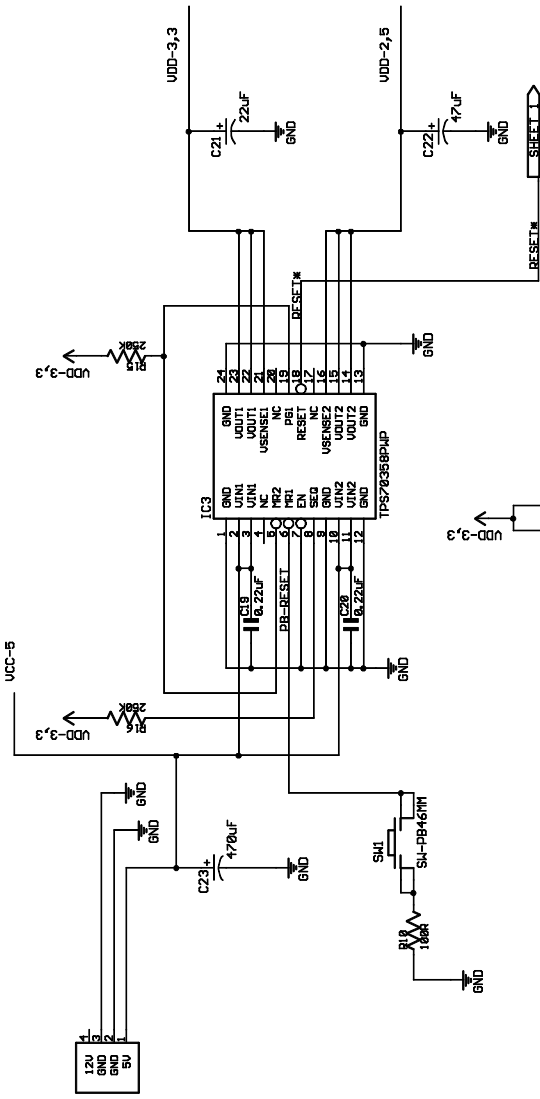
FPGA, VIDEO, MOUSE, KEYBOARD, AND COMPACTFLASH

The CPCng Design Team
 The CPCng Design Team
 Copyright © 2003
 CPCng Design Team
 developed a next-generation
 generation CPC-compatible
 machine.
<http://cpcng.hjthetrion.com/>

TITLE: CPCng_proto_Eur_Board_A
 Drawing By: Douglas Beattie Jr. REV: A
 Date: 2/02/2004 09:40:20p Sheet: 2/4



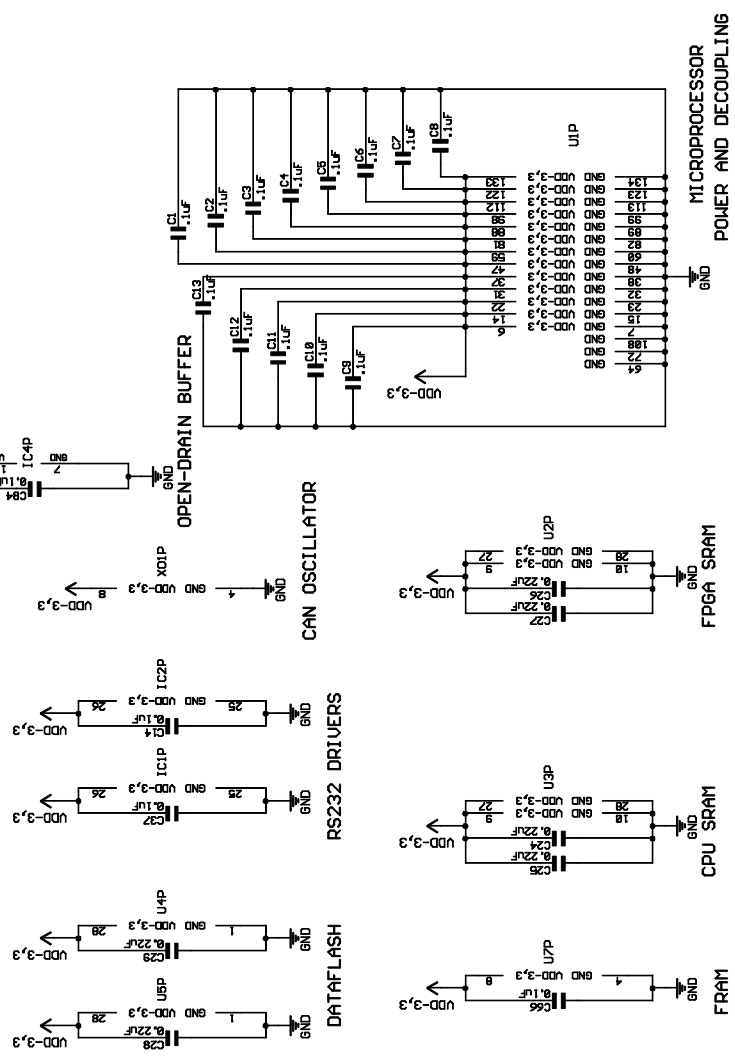
POWER SUPPLY AND RESET CIRCUIT



XILINX FPGA
POWER AND DECOUPLING

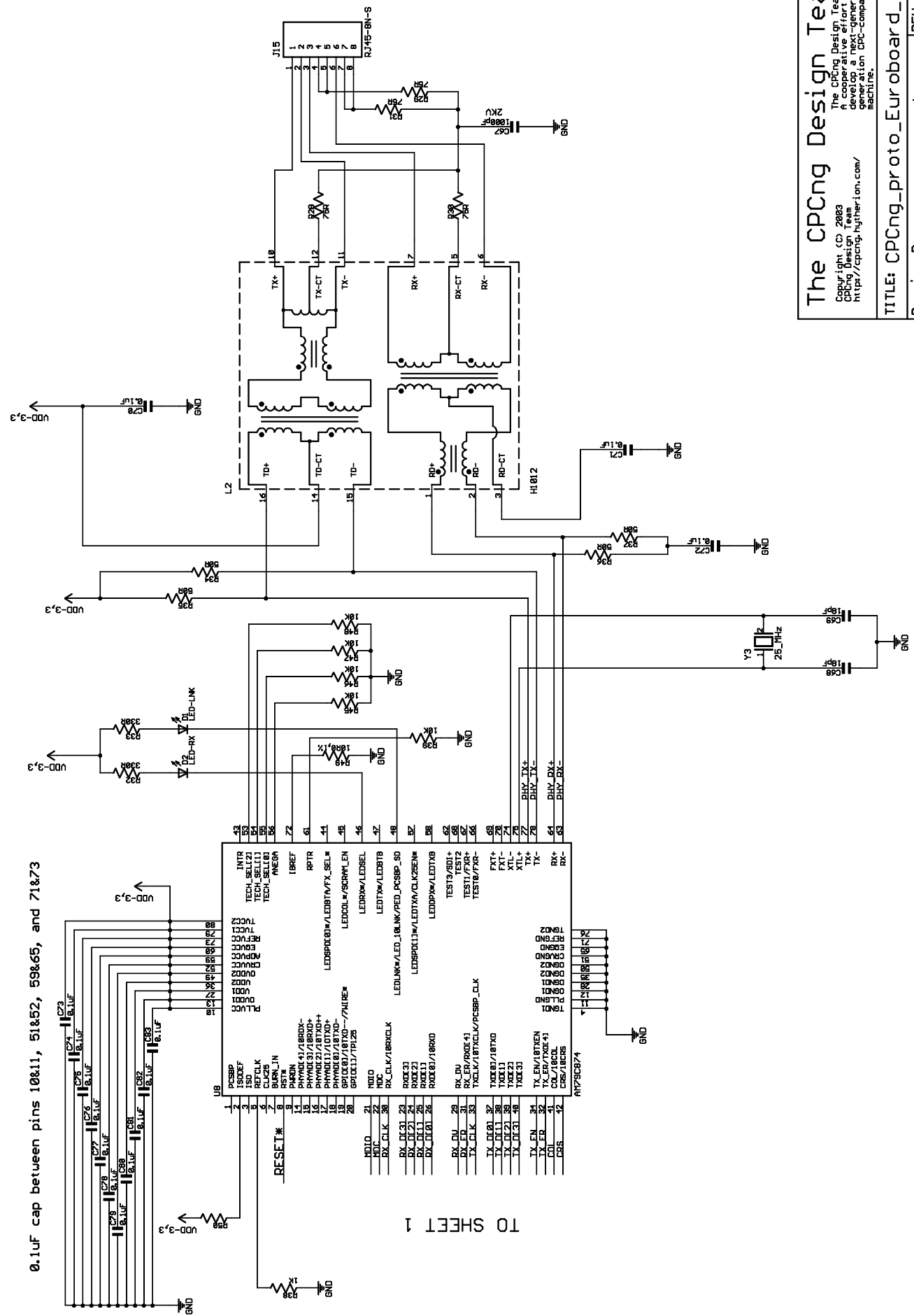
The CPCng Design Team
 Copyright © 2003
 CPCng Design Team
 http://cpcng.huyfherion.com/
 The CPCng Design Team
 develops next-generation
 compatible CPC-compatible
 machine.

TITLE: CPCng_proto_Eur_Board_A
Drawing By: Douglas Beattie Jr.
REV: A
Date: 2/02/2004 09:40:20p
Sheet: 3/4



ETHERNET PHY CIRCUIT AND CONNECTOR

0.1uF cap between pins 10&11, 51&52, 59&65, and 71&73



TO SHEET 1

The CPCng Design Team
 The CPCng Design Team
 Copyright (C) 2003
 CPCng Design Team
 development of a next-generation
 generation of CPC-compatible
 machine.
<http://cpcng.hytherion.com/>

TITLE: CPCng_proto_Eur_Board_A

Drawing By: Douglas Beattie Jr. | **REV:** A

Date: 2/02/2004 09:40:20p | **Sheet:** 1/4